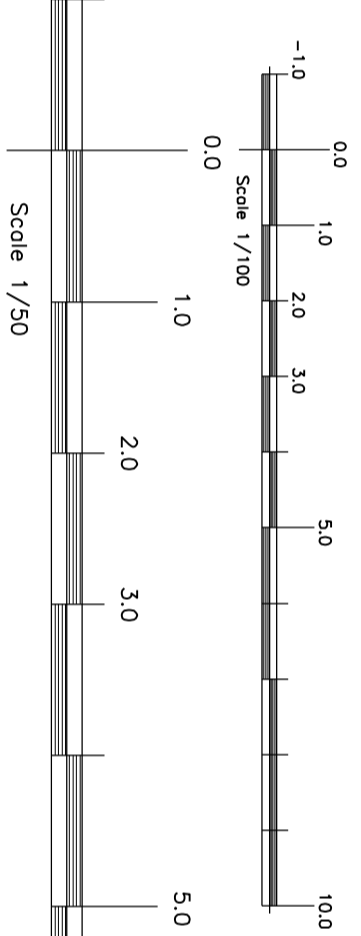
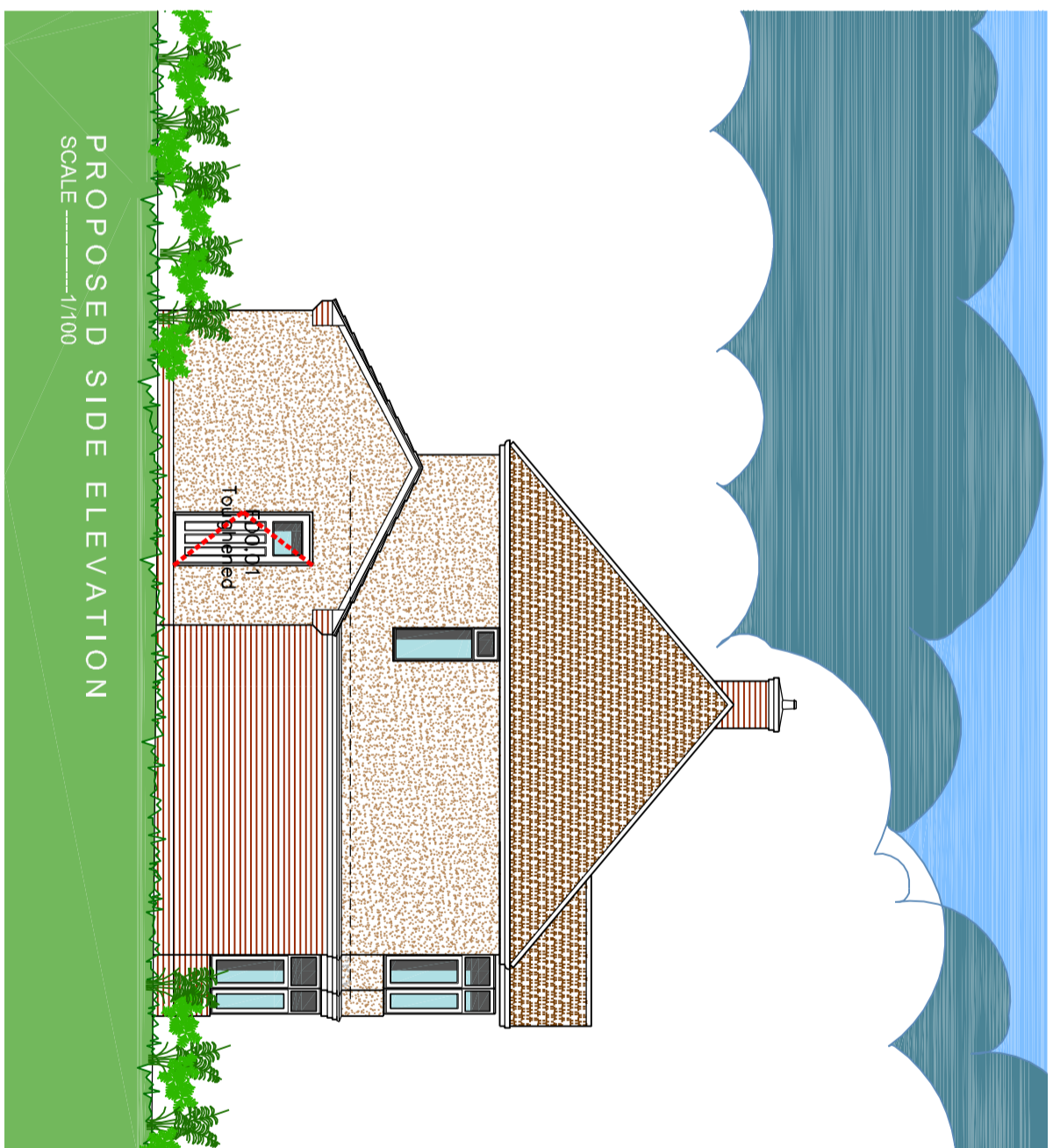
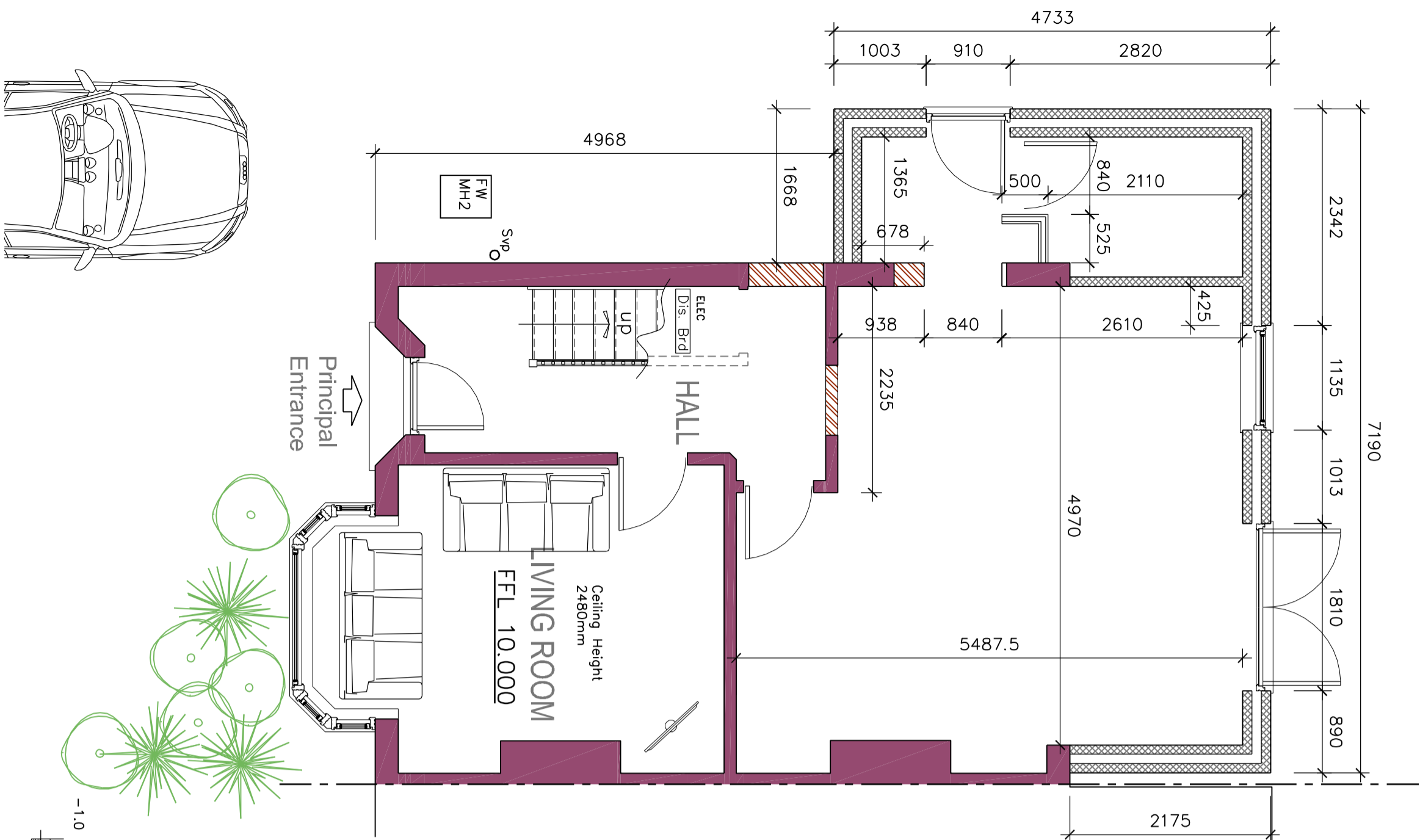


# PROPOSED GROUND FLOOR CARCASSING PLAN



THIS DRAWING & ANY DESIGN THEREON IS THE COPYRIGHT OF INIGO ARCHITECTURE LTD AND MUST NOT BE REPRODUCED WITHOUT THEIR WRITTEN CONSENT.  
ALL DIMENSIONS AND LEVELS ARE SUBJECT TO A THOROUGH AND CAREFUL SURVEY AND CONTROL OF THE CONSTRUCTION AND COMPLETION OF ANY WORKS.  
ALL USES OF STRUCTURAL COMPONENTS ARE TO BE VERIFIED BY A STRUCTURAL ENGINEER.  
ELECTRICAL INSTALLATION OR MODIFICATIONS, WATERS AND WASTEWORK SHALL COMPLY WITH THE LATEST EDITIONS OF THE RELEVANT BRITISH STANDARDS AND C OF PS AND ARE TO BE IN ACCORDANCE WITH GOOD BUILDING PRACTICE AND SUITABLE FOR THE INTENDED USE OF THE BUILDING.  
THE LOCAL ELECTRICITY SUPPLY AUTHORITY, BRITISH TELECOM, THE BUILDING REGULATIONS LIVES' AMENDMENTS.  
PLEASE NOTE ELECTRICAL CONTRACTORS MUST BE MEMBERS OF THE ELECTRICAL CONTRACTORS ASSOCIATION (ELECTRA) AND THE BUILDING REGULATIONS APPROVED DOCUMENTS.  
REGULATIONS, INSTALLATION OR MODIFICATION, INCLUDING WATERS & NOT AND COLD WATER AND VENTILATION SERVICES TO BE IN ACCORDANCE WITH THE LATEST EDITION OF THE CIBSE GUIDE AS PRODUCED BY THE CHARTERED INSTITUTE OF BUILDING SERVICES ENGINEERS & TO THE LOCAL WATER COMPANY BYELAWS, THE CIBSE GUIDE AND C OF PS, THE LATEST EDITION OF THE BUILDING REGULATIONS APPROVED DOCUMENTS AND ALL NATIONAL AND LOCAL REGULATIONS.  
ALL WORKS ARE TO COMPLY WITH THE LATEST REVISION OF THE BRITISH STANDARDS.  
THE CLIENT OR APPOINTING AGENT SHOULD ADVISE OF ANY KNOWN OBSTACLES, SERVICES AND DAMAGE LOCATION OR RESTRICTIVE COVENANTS.  
THIS DRAWING SHOULD BE READ IN CONJUNCTION WITH ALL PLAN DOCUMENTS AND SPECIFICATIONS TO THE WORKS AT THE SCALE FROM THIS DRAWING, EXCEPT FOR PLANNING PURPOSES.

CDM Regulations 2007 : Designers' Notes on Significant Residual Risks

1.

These notes relate solely to information shown on this drawing. Only significant risks which are considered to be unusual, or unlikely, to be obvious to a competent contractor or other designer will be highlighted. This information may be subject to revision as the design develops.

Refer also to Drawings

VERIFICATION STATUS	Verified by	Date
INFO/DESIGN		
PLANNING		
BUILDING CONTROL	Neil	Jan 14
CONSTRUCTION		

No	Revision	Date	Drn	Chkd

**INIGO ARCHITECTURE LTD**

Client: Mr & Mrs Campbell  
Project Title: Proposed Side and Rear Extension

Scale of Drawing: 1/50 (1/100)  
Date: 1/13/50  
Drawing Title: Proposed Ground Floor Carcassing Plan And Elevations  
Drawing No: 1/13/50  
Checked: NHJ  
Date: Nov '13  
Drawn: MJD  
Date: 1/13/50

CI1A1 CHARTERED PRACTICE AND DEVELOPMENT CONSULTANTS  
4 NORWICH ROAD BARTON CLAYDON BEDFORDSHIRE MK45 4DD  
E: mail: info@inigoarchitecture.co.uk  
Tel: 01582 883428

